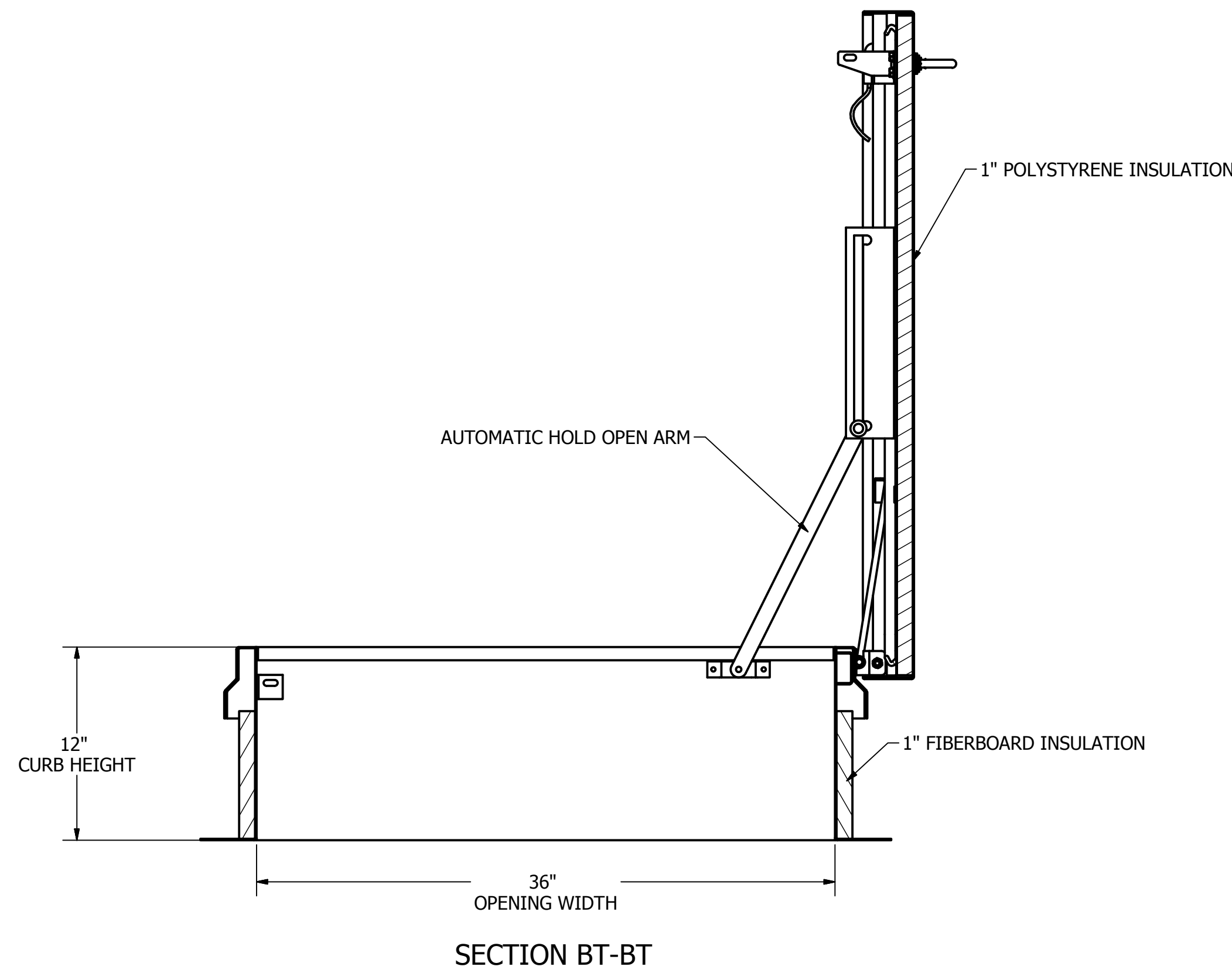
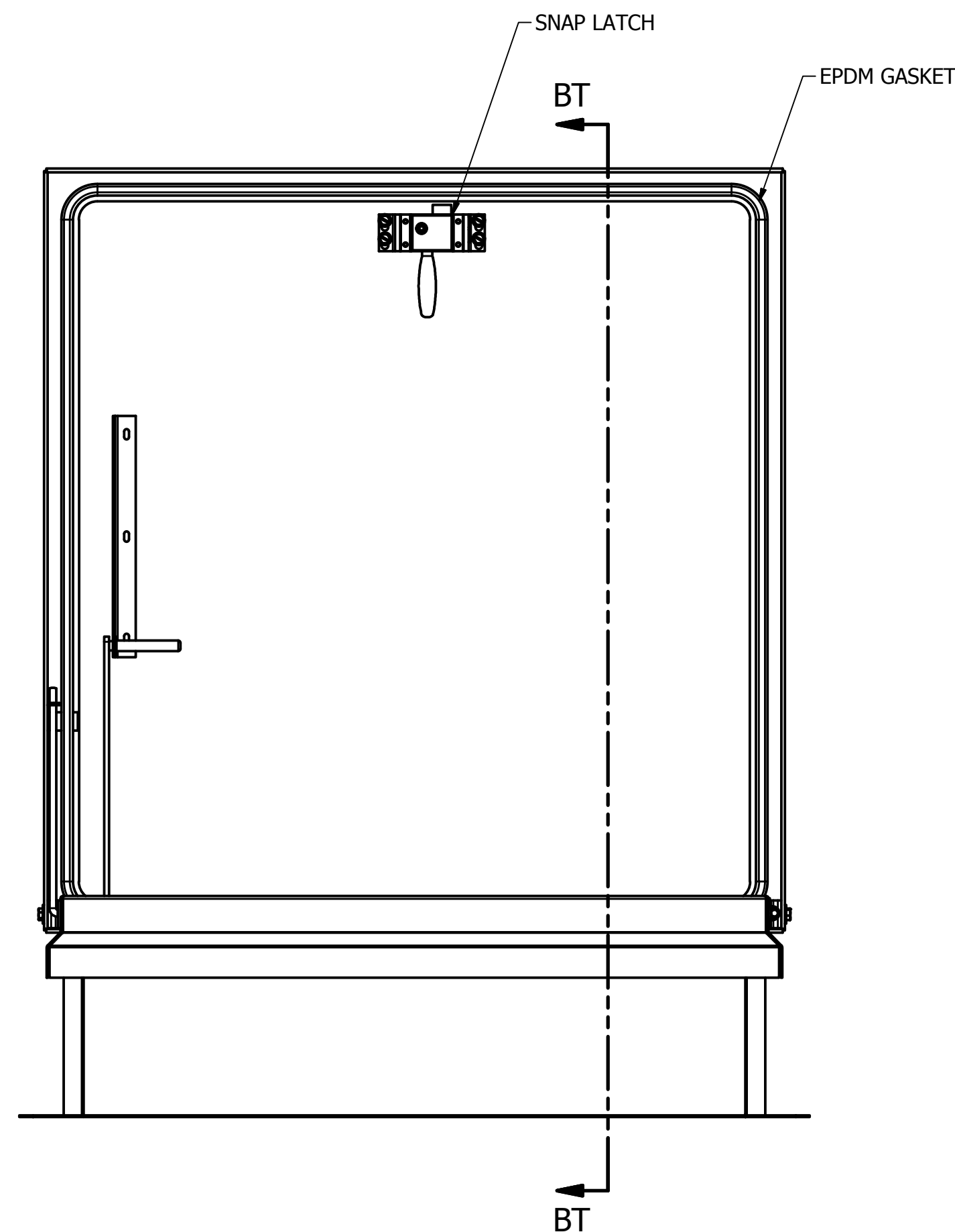


- NOTES:  
 SIZE: M-3'0"X3'0"  
 1) 70psf COVER LIVE LOAD RATING  
 2) HATCH PAINTED WHITE  
 3) MATERIALS:  
 14ga GALVANIZED, COVER  
 14ga GALVANIZED, CURB  
 14ga GALVANIZED, COUNTER FLASHING  
 22ga GALVANIZED, COVER LINER



ORDER WILL NOT BE RELEASED FOR FABRICATION UNTIL SIGNED COPY IS RECEIVED.

VERIFICATION AND APPROVAL OF GENERAL ARRANGEMENT AND OVERALL DIMENSIONS FOR THIS DOCUMENT ARE REQUIRED BEFORE THE ORDER IS ENTERED FOR MANUFACTURING.

APPROVAL SIGNATURE \_\_\_\_\_

TITLE HELD \_\_\_\_\_

DATE OF APPROVAL \_\_\_\_\_

DRAWN	CMD	2/23/2015	Hart & Cooley Inc. Fax: 855-549-2674 www.hartandcooleyinc.com		
CHECKED	<b>MILCOR</b>		5030 Corporate Exchange Blvd. SE Grand Rapids, MI. 49512 Ph: 800-624-8642		
QA	TOLERANCE UNLESS SPECIFIED		TITLE		
MFG	.XXX ± 0.005"		M-3X3 SINGLE LEAF ROOF HATCH		
APPROVED	.XX ± 0.01"		SIZE	DWG NO	REV
	FRACT. ± 1/16"		D	3501-410-9	--
	ANGLES ± 1'		SCALE	SHEET 1 OF 1	